



H1648SS



5" x 48" x 18" (H x W x D)

48 inch wide convertible range hood for ducted or ductless use in stainless steel finish

Highlights:

48 inch wide convertible range hood

Convertible from top or rear venting into non-vented recirculating mode

Features include two-speed fan, switchable light, and combination aluminum-charcoal filter

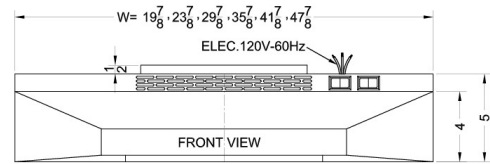
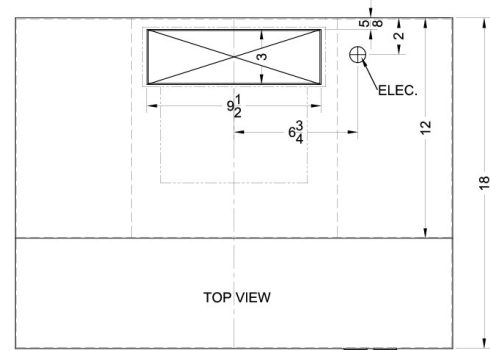
Product Features:

Stainless steel finish	Durable construction with a modern look
Two-speed fan	Variable speed for more ventilation options
Aluminum-charcoal filter	Provides thorough filtering to reduce odors
Light	Switchable light offers more convenience in your kitchen
Made in the USA	Solidly constructed for years of use
More sizes available	Additional sizes include 20", 24", 30", 36" and 42"



H1648SS Specifications:

Overview	
Height of Cabinet	5.0" (13 cm)
Width	48.0" (122 cm)
Depth	18.0" (46 cm)
Cabinet	Stainless Steel
Voltage/Frequency	115 V AC/60 Hz
Weight	15.0 lbs. (7 kg)
Shipping Weight	17.0 lbs. (8 kg)
Parts & Labor Warranty	1 Year
UPC	761101007953



MODEL NO.	WIDTH
H1620	19 7/8"
H1624	23 7/8"
H1630	29 7/8"
H1636	35 7/8"
H1642SS	41 7/8"
H1648SS	47 7/8"